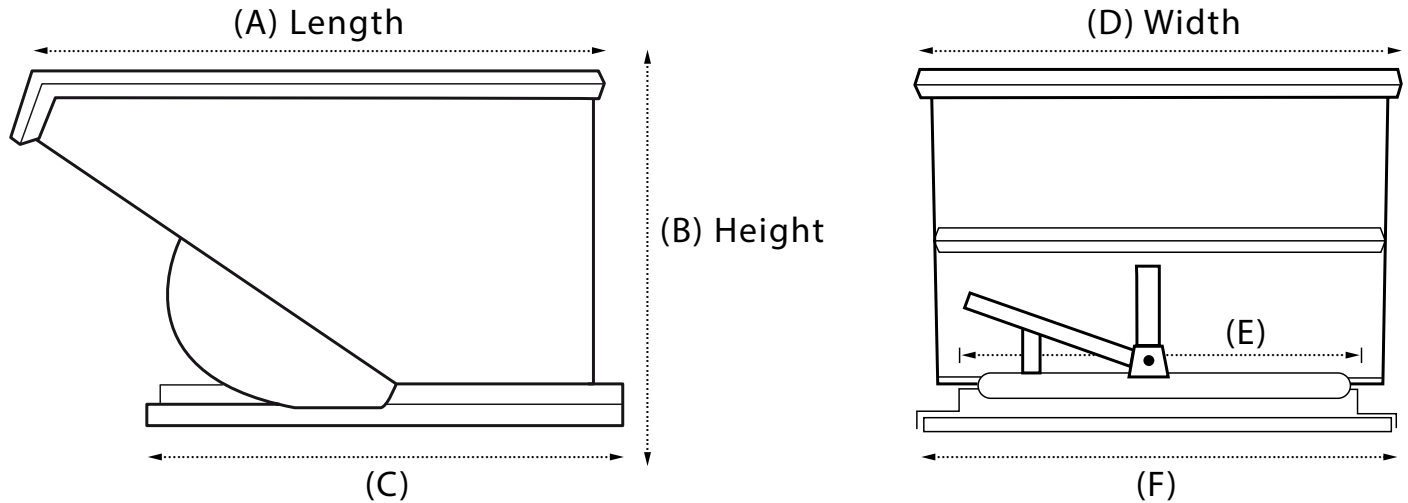


# Forklift Operated Self-Dumping Hopper Specifications

# Hefty Hopper

## 4,000 lb. Capacity Models



Hopper Model	Volume Capacity	A	B	C	D	E	F	Approximate Empty Weight	Prices Starting At	Other
CS-5	½ yd.	48"	36"	48"	40"	30"	40"	480 lbs.	<b>\$985</b>	Stackable
CS-10	1 yd.	54"	42"	52"	46"	34"	46"	610 lbs.	<b>\$1,125</b>	Stackable
CS-15	1½ yd.	66"	44"	56"	48"	38"	48"	720 lbs.	<b>\$1,250</b>	Stackable
CS-20	2 yd.	70"	46"	57"	58"	46"	58"	770 lbs.	<b>\$1,345</b>	Stackable
CS-25	2½ yd.	70"	46"	57"	72"	48"	61"	890 lbs.	<b>\$1,695</b>	Non-Stackable
CS-30	3 yd.	80"	54"	60"	63"	48"	61"	1,060 lbs.	<b>\$1,790</b>	Stackable
CS-35	3½ yd.	80"	54"	60"	73"	48"	61"	1,130 lbs.	<b>\$1,965</b>	Non-Stackable
CS-40	4 yd.	80"	54"	60"	84"	48"	61"	1,200 lbs.	<b>\$2,045</b>	Non-Stackable
CS-50	5 yd.	80"	54"	60"	104"	48"	61"	1,350 lbs.	<b>\$2,295</b>	Non-Stackable
CS-60	6 yd.	89"	66"	60"	84"	48"	61"	1,450 lbs.	<b>\$2,495</b>	Non-Stackable
CS-70	7 yd.	89"	66"	60"	94"	48"	61"	1,600 lbs.	<b>\$2,630</b>	Non-Stackable
CS-80	8 yd.	89"	66"	60"	104"	48"	61"	1,750 lbs.	<b>\$2,765</b>	Non-Stackable

Prices are subject to change without notice. • All measurements are approximate outside dimensions.



**137 Meadow Creek Rd • New Holland, PA 17557**  
**Call Justin (717) 355-2008 for more information.**

