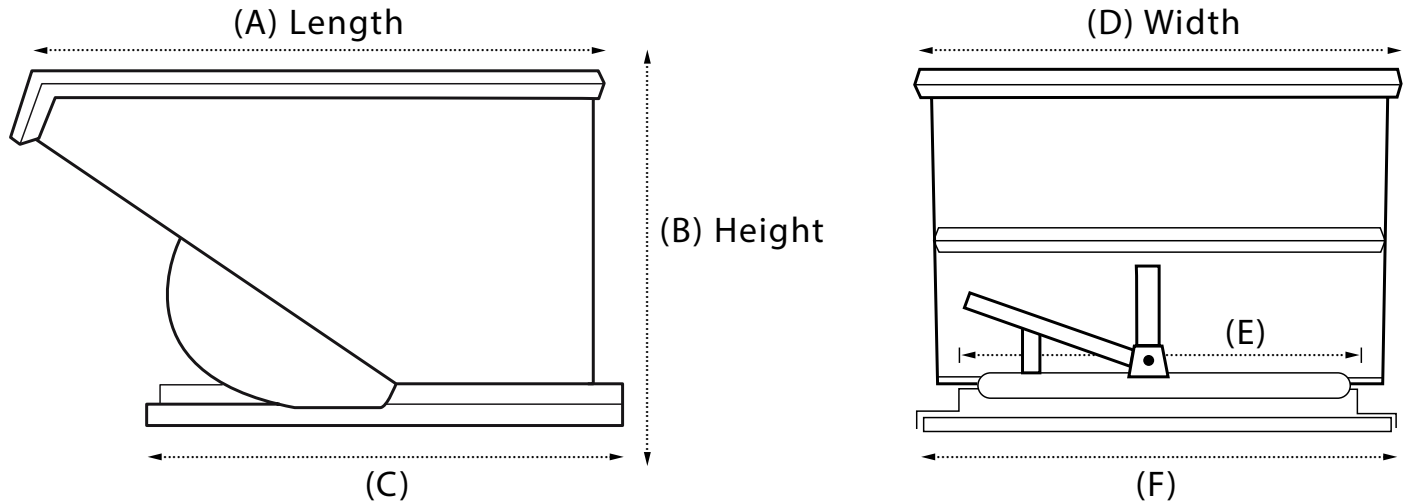


Forklift Operated Self-Dumping Hopper Specifications

Hefty Hopper EXTREME

6,000 lb. Capacity Models



Hopper Model	Volume Capacity	A	B	C	D	E	F	Approximate Empty Weight	Prices Starting At	Other
H-CS-5	½ yd.	48"	36"	48"	40"	30"	40"	590 lbs.	\$1,195	Stackable
H-CS-10	1 yd.	54"	42"	52"	46"	34"	46"	800 lbs.	\$1,455	Stackable
H-CS-15	1½ yd.	66"	44"	56"	48"	38"	48"	955 lbs.	\$1,595	Stackable
H-CS-20	2 yd.	70"	46"	57"	58"	46"	58"	1,020 lbs.	\$1,695	Stackable
H-CS-25	2½ yd.	70"	46"	57"	72"	48"	61"	1,120 lbs.	\$1,950	Non-Stackable
H-CS-30	3 yd.	80"	54"	60"	63"	48"	61"	1,300 lbs.	\$2,195	Stackable
H-CS-35	3½ yd.	80"	54"	60"	73"	48"	61"	1,400 lbs.	\$2,350	Non-Stackable
H-CS-40	4 yd.	80"	54"	60"	84"	48"	61"	1,510 lbs.	\$2,495	Non-Stackable
H-CS-50	5 yd.	80"	54"	60"	104"	48"	61"	1,700 lbs.	\$2,745	Non-Stackable
H-CS-60	6 yd.	89"	66"	60"	84"	48"	61"	1,890 lbs.	\$2,955	Non-Stackable
H-CS-70	7 yd.	89"	66"	60"	94"	48"	61"	2,080 lbs.	\$3,155	Non-Stackable
H-CS-80	8 yd.	89"	66"	60"	104"	48"	61"	2,270 lbs.	\$3,295	Non-Stackable

Prices are subject to change without notice. • All measurements are approximate outside dimensions.



137 Meadow Creek Rd • New Holland, PA 17557
Call Justin (717) 355-2008 for more information.

