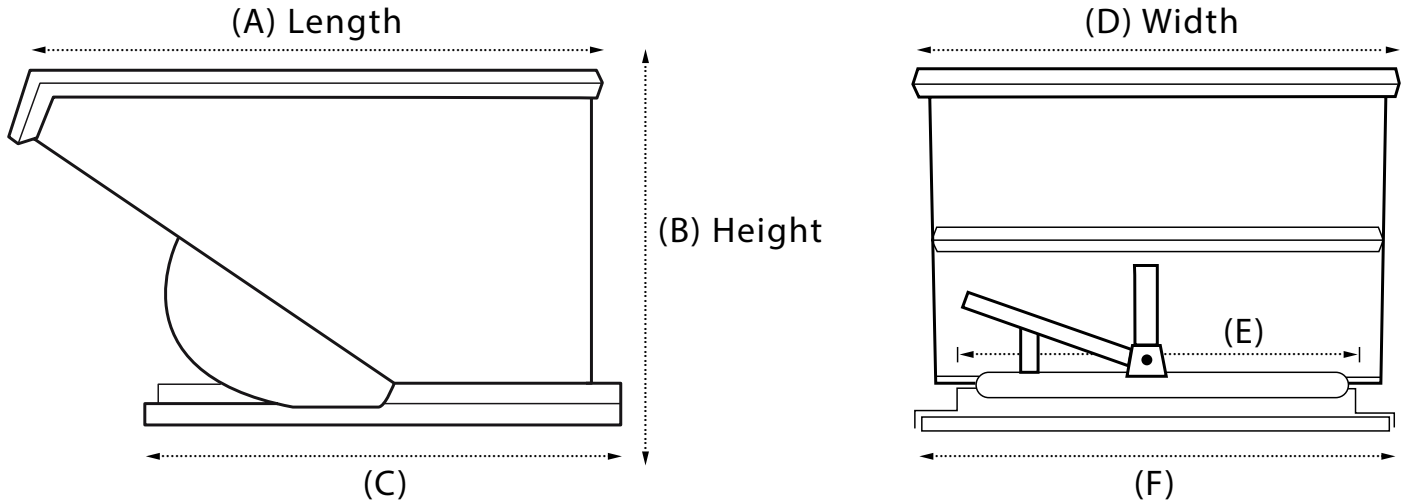


# FORK LIFT OPERATED SELF-DUMPING HOPPER SPECIFICATIONS

## 4,000 lb. Capacity Models



Hopper Model	Volume Capacity	A	B	C	D	E	F	Approximate Empty Weight	Prices Starting At	Other
CS-5	½ yd.	48"	36"	48"	40"	30"	40"	480 lbs.	<b>\$925</b>	Stackable
CS-10	1 yd.	54"	42"	52"	46"	34"	46"	610 lbs.	<b>\$1,055</b>	Stackable
CS-15	1½ yd.	66"	44"	56"	48"	38"	48"	720 lbs.	<b>\$1,205</b>	Stackable
CS-20	2 yd.	70"	46"	57"	58"	46"	58"	770 lbs.	<b>\$1,395</b>	Stackable
CS-25	2½ yd.	70"	46"	57"	72"	48"	61"	890 lbs.	<b>\$1,695</b>	Stackable
CS-30	3 yd.	80"	54"	60"	63"	48"	61"	1,060 lbs.	<b>\$1,795</b>	Non-Stackable
CS-35	3½ yd.	80"	54"	60"	73"	48"	61"	1,130 lbs.	<b>\$1,925</b>	Stackable
CS-40	4 yd.	80"	54"	60"	84"	48"	61"	1,200 lbs.	<b>\$1,995</b>	Non-Stackable
CS-50	5 yd.	80"	54"	60"	104"	48"	61"	1,350 lbs.	<b>\$2,295</b>	Non-Stackable
CS-60	6 yd.	89"	66"	60"	84"	48"	61"	1,450 lbs.	<b>\$2,495</b>	Non-Stackable
CS-70	7 yd.	89"	66"	60"	94"	48"	61"	1,600 lbs.	<b>\$2,630</b>	Non-Stackable
CS-80	8 yd.	89"	66"	60"	107"	48"	61"	1,750 lbs.	<b>\$2,765</b>	Non-Stackable

Prices are subject to change without notice. • All measurements are approximate outside dimensions.

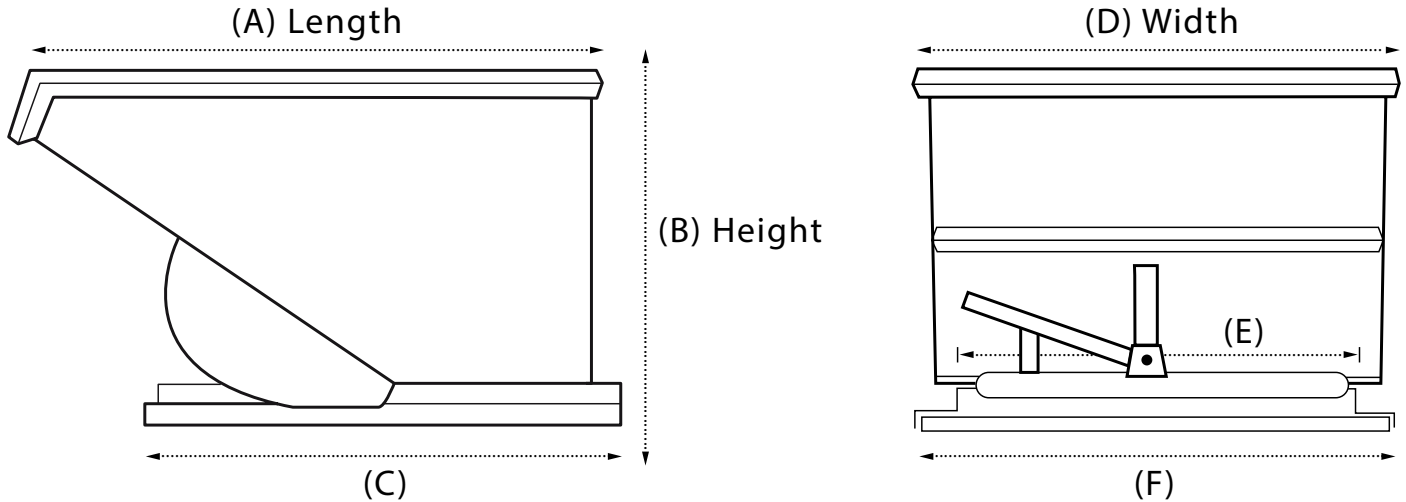


**137 Meadow Creek Rd • New Holland, PA 17557**  
**Call Justin (717) 355-2008 for more information.**



# ***FORK LIFT OPERATED SELF-DUMPING HOPPER SPECIFICATIONS***

## ***Extra Heavy Duty 6,000 lb. Capacity Models***



Hopper Model	Volume Capacity	A	B	C	D	E	F	Approximate Empty Weight	Prices Starting At	Other
H-CS-5	½ yd.	48"	36"	48"	40"	30"	40"	590 lbs.	<b>\$1,195</b>	Stackable
H-CS-10	1 yd.	54"	42"	52"	46"	34"	46"	800 lbs.	<b>\$1,455</b>	Stackable
H-CS-15	1½ yd.	66"	44"	56"	48"	38"	48"	955 lbs.	<b>\$1,595</b>	Stackable
H-CS-20	2 yd.	70"	46"	57"	58"	46"	58"	1,020 lbs.	<b>\$1,695</b>	Stackable
H-CS-25	2½ yd.	70"	46"	57"	72"	48"	61"	1,120 lbs.	<b>\$1,950</b>	Non-Stackable
H-CS-30	3 yd.	80"	54"	60"	63"	48"	61"	1,300 lbs.	<b>\$2,195</b>	Stackable
H-CS-35	3½ yd.	80"	54"	60"	73"	48"	61"	1,400 lbs.	<b>\$2,350</b>	Non-Stackable
H-CS-40	4 yd.	80"	54"	60"	84"	48"	61"	1,510 lbs.	<b>\$2,495</b>	Non-Stackable
H-CS-50	5 yd.	80"	54"	60"	104"	48"	61"	1,700 lbs.	<b>\$2,745</b>	Non-Stackable
H-CS-60	6 yd.	89"	66"	60"	84"	48"	61"	1,890 lbs.	<b>\$2,955</b>	Non-Stackable
H-CS-70	7 yd.	89"	66"	60"	94"	48"	61"	2,080 lbs.	<b>\$3,155</b>	Non-Stackable
H-CS-80	8 yd.	89"	66"	60"	107"	48"	61"	2,270 lbs.	<b>\$3,295</b>	Non-Stackable

Prices are subject to change without notice. • All measurements are approximate outside dimensions.



**137 Meadow Creek Rd • New Holland, PA 17557**  
**Call Justin (717) 355-2008 for more information.**



# ***FORK LIFT OPERATED SELF DUMPING HOPPERS STANDARD FEATURES AND AVAILABLE OPTIONS***

***4,000 lb. and 6000 lb. Capacities***

## **Standard Features**

---

- Drain hole
- Safety chain
- Durable painted finish
- Your choice of standard colors:  
Gray, Yellow, Red, Green, Blue,  
Black, Orange, Maroon, Dark Blue
- Fully welded and waterproof
- One of the most robust designs  
in the industry

## **Available Options**

---

- Low profile models to fit  
under machines
- Customized hoppers to fit in  
tight corners
- Casters installed for extra  
maneuverability
- 5" and 8" heavy duty casters  
available (Rated at 4,000lbs.)
- Drain hole with plug
- Steel & aluminum lids
- Retractable pull-rope system
- Push around bars
- Bump-N-Dump systems
- Overhead crane lifting hooks
- Locking casters available  
Our casters are high quality, phenolic  
casters with grease certs and are installed  
with caster pads. Two swivel and two rigid  
casters per set.



**137 Meadow Creek Rd • New Holland, PA 17557**

***Call Justin (717) 355-2008 for more information.***